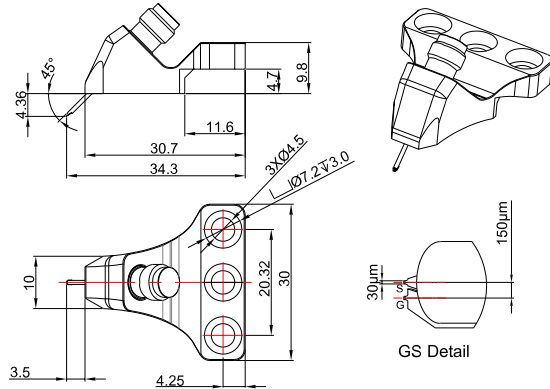


26.5GHz GS RF Probe, 150µm Pitch, SMA Female RF Connector, Ultra-Wideband High Frequency Test Probe

P/N: FR8-GPB26-GS-150



Dimensions are in mm



Product Configuration

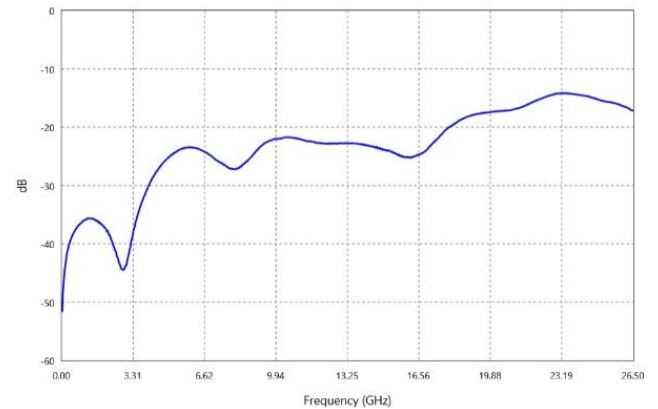
Connector 1 Series	SMA
Connector 1 Polarity	Standard
Connector 1 Gender	Female
Connector 1 Impedance (Ohm)	50
Probe Configuration	GS
Pitch	150 µm
Tip Material	Nickel Alloy
Tip Width	30µm
Overtravel	20 – 60 µm

Electrical Specifications

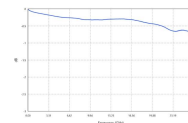
Frequency	DC - 26GHz
VSWR / Return Loss	14dB
Insertion Loss	0.9dB

Test Report

S11: Minimum return loss for this probe is -14.1dB



S21: Maximum insertion loss for this probe is -0.69dB



Environmental Specifications

RoHS Compliant	Yes
Operating Temperature Range	-40 °C to +175 °C