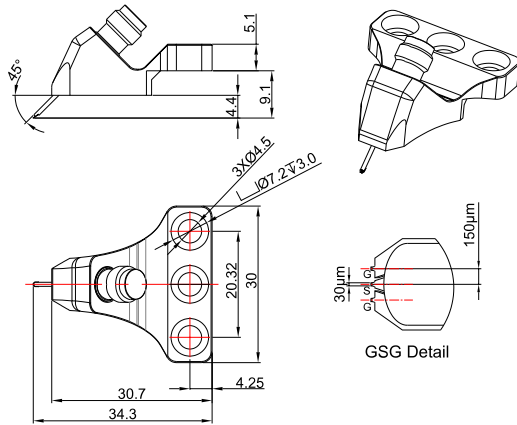


110GHz GSG RF Probe, 150µm Pitch, 1.0mm Female RF Connector, Ultra-Wideband High Frequency Test Probe

P/N: FR8-GPB110-GSG-150



Dimensions are in mm



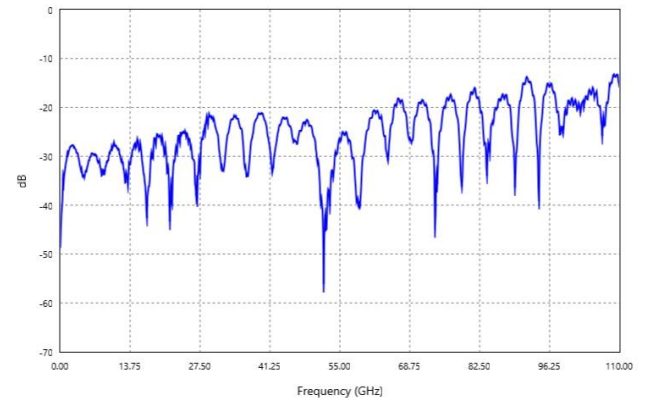
Product Configuration	
Connector 1 Series	1.0mm
Connector 1 Polarity	Standard
Connector 1 Gender	Female
Connector 1 Impedance (Ohm)	50
Probe Configuration	GSG
Pitch	150 µm
Tip Material	Nickel Alloy
Tip Width	30µm
Overtravel	20 – 60 µm

Electrical Specifications

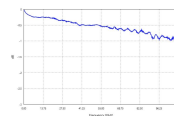
Frequency	DC - 110GHz
VSWR / Return Loss	12dB
Insertion Loss	1.3dB

Test Report

S11: Minimum return loss for this probe is -13.21dB



S21: Maximum insertion loss for this probe is -1.15dB



Environmental Specifications

RoHS Compliant	Yes
Operating Temperature Range	-40 °C to +175 °C