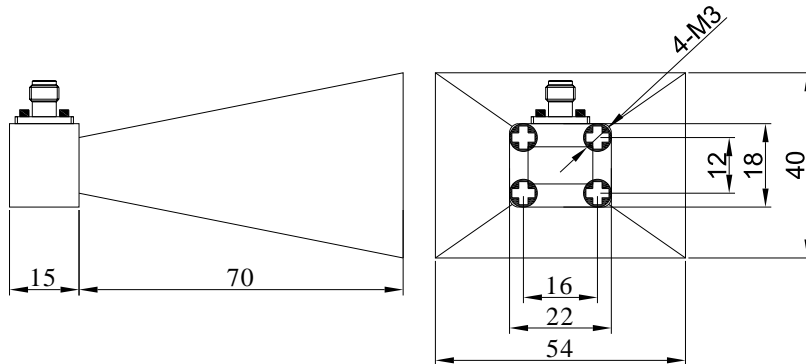


Waveguide Standard Horn Antenna Operating from 18 GHz to 26 GHz
with a Nominal 20 dBi Gain, SMA Female Input Connector

P/N: GHA180260-SMF-20



Dimensions are in mm

Product Configuration

Connector Series	SMA
Connector Polarity	Standard
Connector Gender	Female
Connector Impedance (Ohm)	50
Antenna Type	Horn

Mechanical Data

Weight	70 g
Body Material	Aluminum
Colour	Silver

Electrical Specifications

VSWR, Max Input	1.4
Directionality	Directional
Polarization	Linear
Number of Bands	Single
Gain, Typical (dBi)	20
Beam Width, 3dB H (Deg)	18

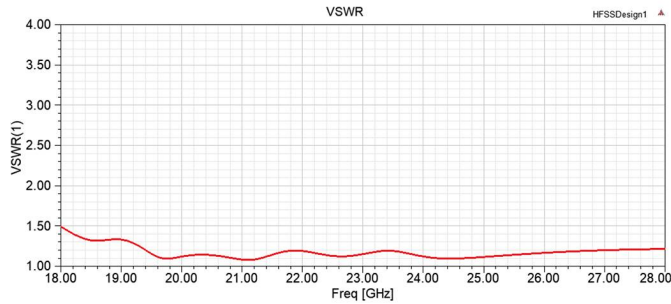
Environmental Specifications

RoHS Compliant	Yes
Operating Temperature Range	-40 °C to +80 °C

Waveguide Standard Horn Antenna Operating from 18 GHz to 26 GHz
with a Nominal 20 dBi Gain, SMA Female Input Connector

P/N: GHA180260-SMF-20

VSWR Test Figure



Bandwidth & Gain Table

