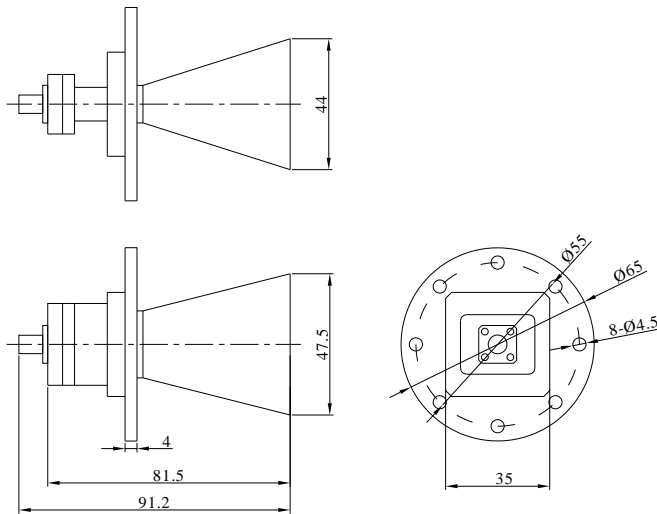


Waveguide Standard Horn Antenna Operating from 6 GHz to 18 GHz with a Nominal 14 dBi Gain, SMA Female Input Connector

P/N: GHA060180-SMF-14



Dimensions are in mm

Product Configuration

Connector Series	SMA
Connector Polarity	Standard
Connector Gender	Female
Connector Impedance (Ohm)	50
Antenna Type	Horn

Mechanical Data

Weight	116 g
Body Material	Aluminum
Colour	Silver

Electrical Specifications

VSWR, Max Input	2.0
Directionality	Directional
Polarization	Linear
Number of Bands	Single
Gain, Typical (dBi)	14
Beam Width, 3dB H (Deg)	35.3

Environmental Specifications

RoHS Compliant	Yes
Operating Temperature Range	-40 °C to +80 °C

Waveguide Standard Horn Antenna Operating from 6 GHz to 18 GHz with a Nominal 14 dBi Gain, SMA Female Input Connector

P/N: GHA060180-SMF-14

VSWR Test Figure



Bandwidth & Gain Table

Frequency (GHz)	E Beamwidth (°)	H Beamwidth (°)	Gain (dBi)
6	66.3	61.9	9.0
6.5	55.7	62.9	9.0
7	49.9	59.9	10.3
7.5	49.2	54.1	11.1
8	44.6	50.3	11.8
8.5	43.0	48.8	12.0
9	42.7	46.4	12.3
9.5	39.8	42.6	12.7
10	33.9	42.5	12.8
10.5	30.2	44.4	12.8
11	31.9	40.1	13.2
11.5	35.1	37.9	13.0
12	34.8	35.8	13.4
12.5	31.9	34.9	13.8
13	28.7	34.5	14.5
13.5	27.1	35.8	14.6
14	26.8	36.4	14.6
14.5	27.1	33.6	14.4
15	26.9	30.5	14.5
15.5	25.8	30.6	14.9
16	25.2	31.9	15.3
16.5	24.3	32.5	15.4
17	24.5	31.3	15.6
17.5	25.0	28.1	15.0
18	24.1	24.7	14.7

Bandwidth & Gain Test Figures

