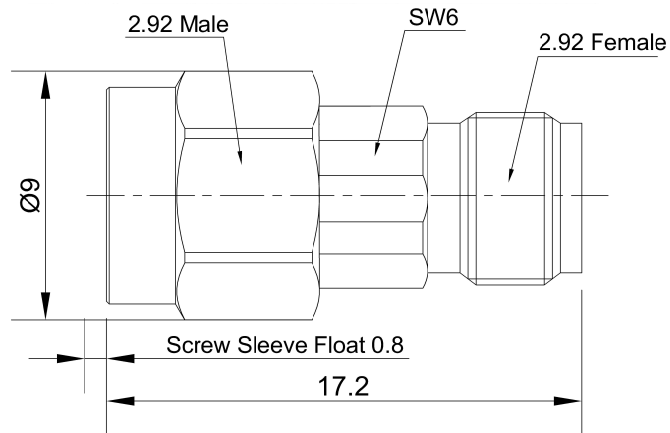


DC Block on Inner Conductor 2.92mm Male to 2.92mm Female
Operating from 10 MHz to 40 GHz

P/N: FR5-GDCB-40G-292E



Dimensions are in mm

Product Configuration

Connector-In Series	2.92mm
Connector-In Polarity	Standard
Connector-In Gender	Male
Connector-In Impedance (Ohm)	50
Connector-Out Series	2.92mm
Connector-Out Polarity	Standard
Connector-Out Gender	Female
Connector-Out Impedance (Ohm)	50
Block Type	Inner

Mechanical Data

Mating Cycles, Min	≥500
Weight	4.6 g
Body Material	Stainless Steel
Body Plating	Passivated
Connector In Body Material	Stainless Steel
Connector In Body Plating	Passivated
Connector Out Body Material	Stainless Steel
Connector Out Body Plating	Passivated

DC Block on Inner Conductor 2.92mm Male to 2.92mm Female Operating from 10 MHz to 40 GHz

P/N: FR5-GDCB-40G-292E

Electrical Specifications

VSWR	< 1.3
Insertion Loss	≤ 0.5dB
Power, Max Input (Watts)	2
Frequency Range	10MHz to 40GHz
Voltage, DC Max (Volts)	+60

Environmental Specifications

RoHS Compliant	Yes
Operating Temperature Range	-55 °C to +85 °C

Test Data

