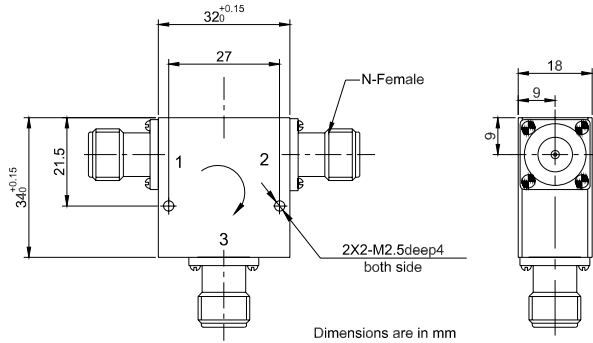


Circulator with 15dB Isolation from 2GHz to 6GHz, 20 Watts and N Female

P/N: GCN020060-20W-NF



Electrical Performance Parameter Table

Product Configuration

Connector 1 Series	N
Connector 2 Series	N
Connector 1 Polarity	Standard
Connector 2 Polarity	Standard
Connector 1 Gender	Female
Connector 2 Gender	Female
Connector 1 Impedance (Ohm)	50
Connector 2 Impedance (Ohm)	50

Circulator with 15dB Isolation from 2GHz to 6GHz, 20 Watts and N Female

P/N: GCN020060-20W-NF

Mechanical Data

Connector 1 Body Material	Brass
Connector 1 Body Plating	Nickel
Connector 2 Body Material	Brass
Connector 2 Body Plating	Nickel
Weight (g)	140
Body Material	Aluminum
Body Plating	Oxidation

Environmental Specifications

RoHS Compliant	Yes
Operating Temperature Range	0°C to +60 °C
Storage Temperature Range	-40 °C to +85 °C

Test Data

