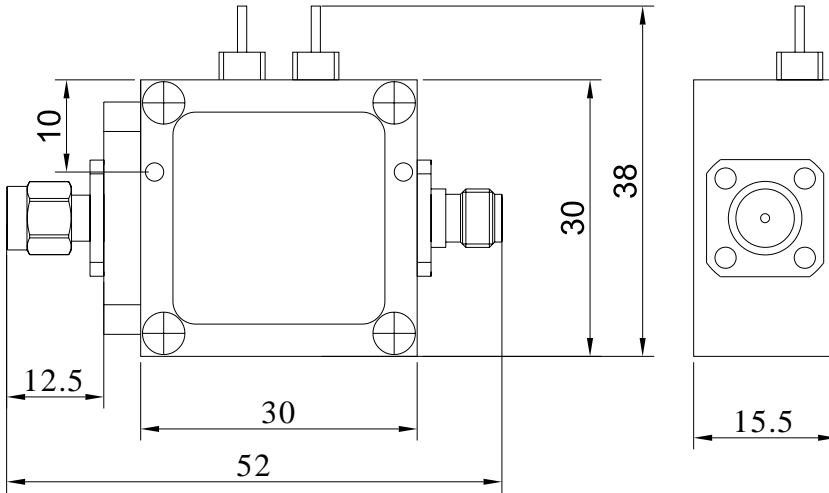
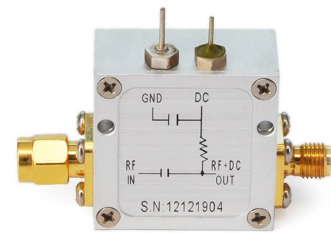


10 MHz to 4.2 GHz SMA Bias Tee Rated to 1000 mA And 72 Volts DC

P/N: GBT001042-SMA



Dimensions are in mm



Product Configuration

DC Port Connector Series	DC
Connector-In Series	SMA
Connector-In Polarity	Standard
Connector-In Gender	Male
Connector-In Impedance (Ohm)	50
Connector-Out Series	SMA
Connector-Out Polarity	Standard
Connector-Out Gender	Female
Connector-Out Impedance (Ohm)	50

Electrical Specifications

Frequency Range	10MHz to 4.2GHz
VSWR	<1.25
Power, Max Input (Watts)	5
Voltage, DC Max (Volts)	+72
Current, Max (mA)	1000

10 MHz to 4.2 GHz SMA Bias Tee Rated to 1000 mA And 72 Volts DC

P/N: [GBT001042-SMA](#)

Mechanical Data

Min. Mating Cycles	≥500
--------------------	------

Environmental Specifications

RoHS Compliant	Yes
Operating Temperature Range	-40 °C to +80 °C