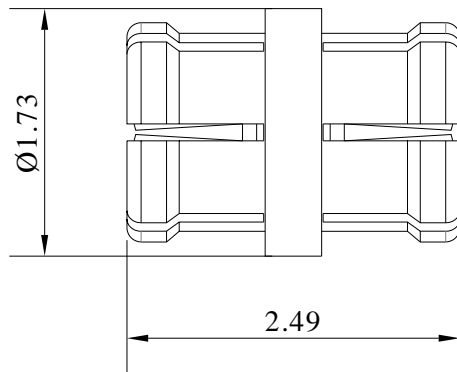


G3PO (SMPS) Female to G3PO (SMPS) Female Adapter, DC - 65GHz, Length 2.49mm

FR1-G3PO-KK249



G3PO FEMALE

G3PO FEMALE



Dimensions are in mm

Product Configuration

Connector 1 Series	G3PO(SMPS)
Connector 1 Polarity	Standard
Connector 1 Gender	Female
Connector 1 Impedance (Ohm)	50
Connector 1 Mount Method	None
Connector 2 Series	G3PO(SMPS)
Connector 2 Polarity	Standard
Connector 2 Gender	Female
Connector 2 Impedance (Ohm)	50
Connector 2 Mount Method	None
Body Style	Straight

Mechanical Data

Connector 1 Body Material	Beryllium Copper
Connector 1 Body Plating	Gold
Connector 2 Body Material	Beryllium Copper
Connector 2 Body Plating	Gold
Min. Mating Cycles	≥500

Electrical Specifications

Frequency	DC-65GHz
VSWR	1.45
Insertion Loss	≤0.12 xSqt.(f_GHz)

Environmental Specifications

RoHS Compliant	Yes
Operating Temperature Range	-55 °C to +165 °C
MIL/STD	N/A