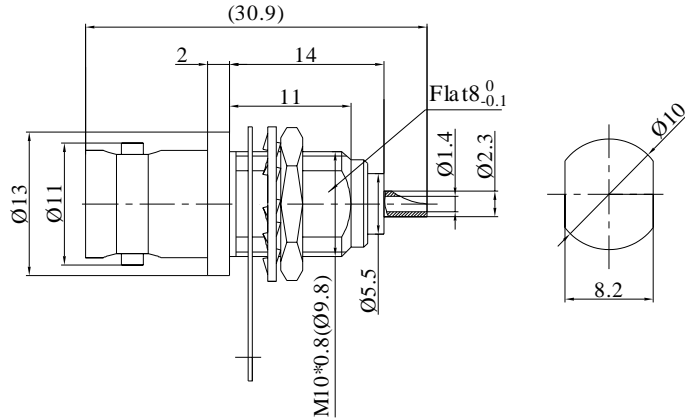


BNC Female Connector Bulkhead Mount For PCB | DC - 4GHz

P/N: FR2-BNC-KY-3



Dimensions are in mm

Product Configuration

Body Style	Straight
Connector Series	BNC
Connector Polarity	Standard
Connector Gender	Female
Termination Type	PCB
Connector Impedance (Ohm)	50
Mount Method	Bulkhead

Electrical Specifications

Frequency	DC - 4GHz
VSWR / Return Loss	1.3
Insertion Loss	$\leq 0.1 \times \text{Sqrt.}(f_GHz)$

Mechanical Data

Min. Mating Cycles	≥ 500
Body Material	Brass
Body Plating	Nickel

Environmental Specifications

RoHS Compliant	Yes
Operating Temperature Range	-55 °C to +165 °C
MIL/STD	N/A