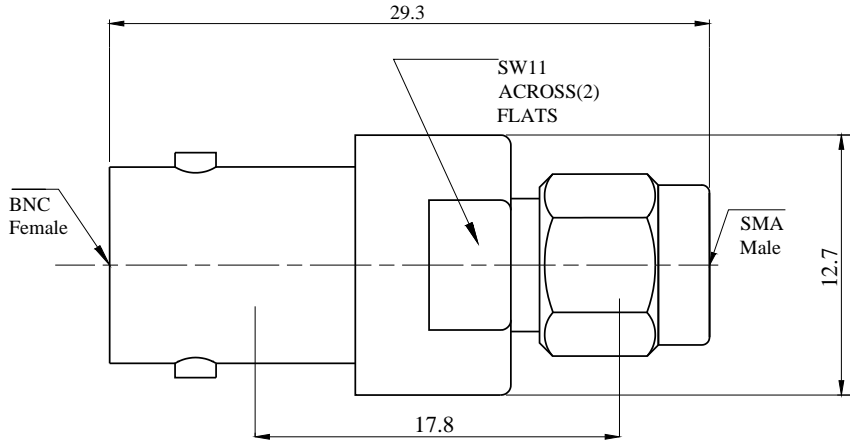


BNC Female to SMA Male Adapter, DC - 18GHz

FR1-BNC/SMA-KJS



Dimensions are in mm

Product Configuration

Connector 1 Series	BNC
Connector 1 Polarity	Standard
Connector 1 Gender	Female
Connector 1 Impedance (Ohm)	50
Connector 1 Mount Method	None
Connector 2 Series	SMA
Connector 2 Polarity	Standard
Connector 2 Gender	Male
Connector 2 Impedance (Ohm)	50
Connector 2 Mount Method	None
Body Style	Straight

Mechanical Data

Connector 1 Body Material	Stainless Steel
Connector 1 Body Plating	Passivated
Connector 2 Body Material	Stainless Steel
Connector 2 Body Plating	Passivated
Mating Cycles, Min	≥500

Electrical Specifications

Frequency	DC-18GHz
VSWR	1.15
Insertion Loss	≤0.1 x Sqrt.(f_GHz)

Environmental Specifications

RoHS Compliant	Yes
Operating Temperature Range	-55 °C to +165 °C
MIL/STD	N/A