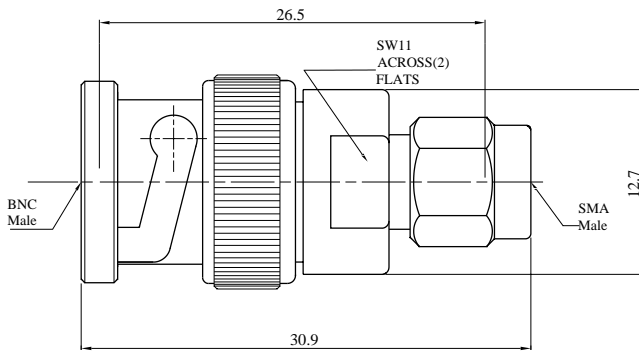


BNC Male to SMA Male Straight Precision Adapter | DC-18GHz

P/N: FR1-BNC/SMA-JJS



Dimensions are in mm



Product Configuration

	Connector 1	Connector 2
Connector Series	BNC	SMA
Connector Polarity	Standard	Standard
Connector Gender	Male	Male
Connector Impedance (Ohm)	50	50
Body Style	Straight	Straight
Connector Body Material	Stainless Steel	Stainless Steel
Connector Body Plating	Passivated	Passivated
Mount Method		None

Electrical Specifications

Frequency	DC - 18GHz
VSWR / Return Loss	1.15
Insertion Loss	$\leq 0.1 \times \text{Sqrt.}(f_GHz)$

Mechanical Data

Min. Mating Cycles	≥ 500
--------------------	------------

Environmental Specifications

RoHS Compliant	Yes
Operating Temperature Range	-55 °C to +165 °C
MIL/STD	N/A