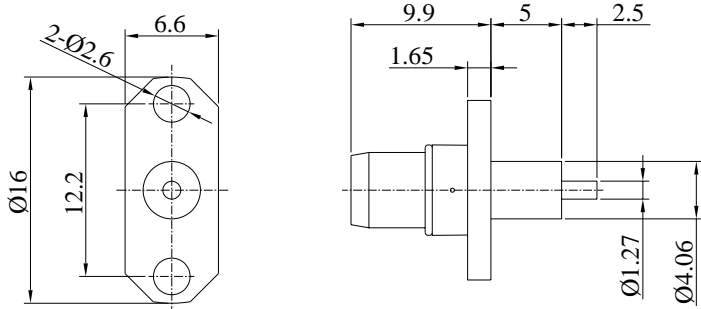
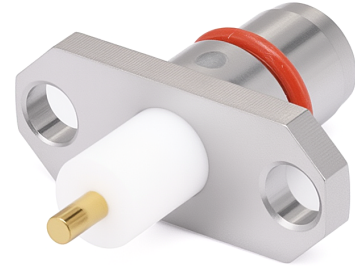


BMA Male Connector with 2 Holes Flange | Hole Spacing 12.2mm | Through-plate PTFE Diameter 4.06mm and Length 5mm | DC - 22GHz **BMA-JFD0411**



Dimensions are in mm



Product Configuration

Connector Series	BMA
Connector Polarity	Standard
Connector Gender	Male
Body Style	Straight
Termination Type	Field Replaceable Contact
Connector Impedance (Ohm)	50
Mount Method	2 Hole Flange

Mechanical Data

Min. Mating Cycles	≥500
Body Material	Stainless Steel
Body Plating	Passivated

Electrical Specifications

Frequency	DC - 22GHz
VSWR / Return Loss	1.25 to 22GHz
Insertion Loss	≤ 0.07x Sqrt.(f_GHz)
RF Leakage	90dB

Environmental Specifications

RoHS Compliant	Yes
Operating Temperature Range	-55 °C to +125 °C
MIL/STD	N/A