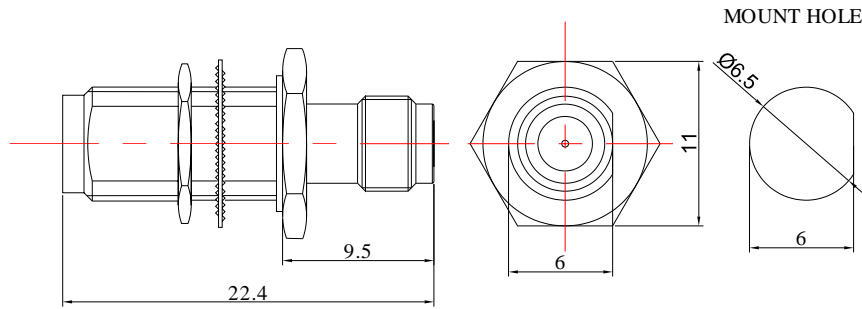


2.92mm Female to 2.92mm Female Bulkhead Mount Adapter, DC - 40GHz

FR1-2.92-KYKG



Dimensions are in mm

Product Configuration

Connector 1 Series	2.92mm
Connector 1 Polarity	Standard
Connector 1 Gender	Female
Connector 1 Impedance (Ohm)	50
Connector 1 Mount Method	Bulkhead
Connector 2 Series	2.92mm
Connector 2 Polarity	Standard
Connector 2 Gender	Female
Connector 2 Impedance (Ohm)	50
Connector 2 Mount Method	Bulkhead
Body Style	Straight

Mechanical Data

Connector 1 Body Material	Stainless Steel
Connector 1 Body Plating	Passivated
Connector 2 Body Material	Stainless Steel
Connector 2 Body Plating	Passivated
Min. Mating Cycles	≥500
Weight	4.3 g

Electrical Specifications

Frequency	DC-40GHz
VSWR	1.25
Insertion Loss	≤0.05 xSqt.(f_GHz)

Environmental Specifications

RoHS Compliant	Yes
Operating Temperature Range	-55 °C to +165 °C
MIL/STD	N/A