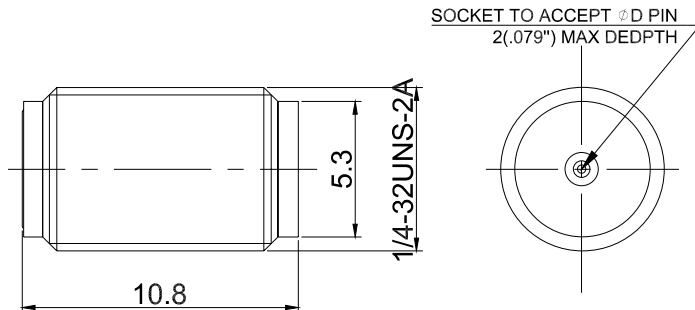


2.92mm Female Threaded Mount Field Replaceable Connector 0.30mm Pin

P/N: FR2-2.92-KYD0230



For glass-bead of 0.30mm pin diameter

Dimensions are in mm

Product Configuration

Body Style	Straight
Connector Series	2.92mm
Connector Polarity	Standard
Connector Gender	Female
Termination Type	Field Replaceable Contact
Connector Impedance (Ohm)	50
Mount Method	Bulkhead

Electrical Specifications

Frequency	DC-40GHz
VSWR	1.15
Insertion Loss	$\leq 0.05 \times \text{Sqrt.}(f_GHz)$

Mechanical Data

Mating Cycles, Min	≥ 500
Weight	1.5 g
Body Material	Stainless Steel
Body Plating	Passivated

Environmental Specifications

RoHS Compliant	Yes
Operating Temperature Range	-55 °C to +165 °C