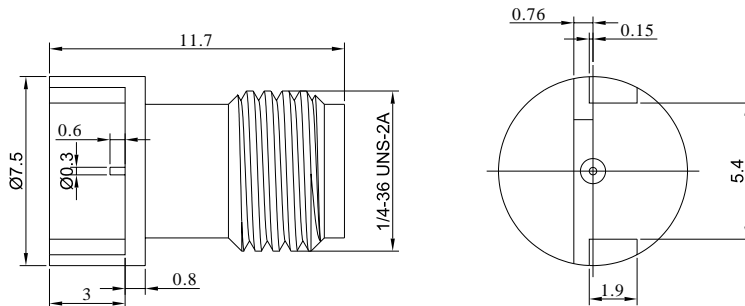


2.92mm Female Connector End Launch Suit for PCB Thickness 0.51mm,  
DC - 40GHz

P/N: FR2-2.92-KHD103



Dimensions are in mm

## Product Configuration

Body Style	Straight
Connector Series	2.92mm
Connector Polarity	Standard
Connector Gender	Female
Termination Type	PCB
Connector Impedance (Ohm)	50
Mount Method	End Launch

## Electrical Specifications

Frequency	DC-40GHz
VSWR	1.15
Insertion Loss	$\leq 0.1 \times \sqrt{f_{GHz}}$

## Mechanical Data

Min. Mating Cycles	$\geq 500$
Weight	1.85 g
Body Material	Brass
Body Plating	Gold

## Environmental Specifications

RoHS Compliant	Yes
Operating Temperature Range	-55 °C to +165 °C
MIL/STD	N/A