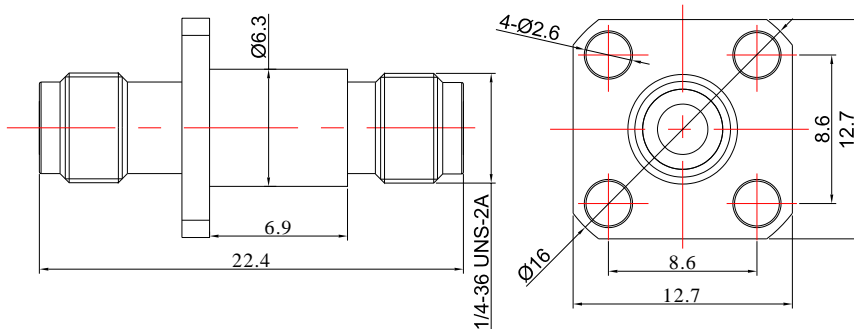


## 2.92mm Female to 2.92mm Female Adapter with 4 Hole Flange, DC - 40GHz

FR1-2.92-KFKG



Dimensions are in mm

### Product Configuration

Connector 1 Series	2.92mm
Connector 1 Polarity	Standard
Connector 1 Gender	Female
Connector 1 Impedance (Ohm)	50
Connector 1 Mount Method	4 Hole Flange
Connector 2 Series	2.92mm
Connector 2 Polarity	Standard
Connector 2 Gender	Female
Connector 2 Impedance (Ohm)	50
Connector 2 Mount Method	4 Hole Flange
Body Style	Straight

### Mechanical Data

Connector 1 Body Material	Stainless Steel
Connector 1 Body Plating	Passivated
Connector 2 Body Material	Stainless Steel
Connector 2 Body Plating	Passivated
Mating Cycles, Min	$\geq 500$
Weight	4.7 g

### Electrical Specifications

Frequency	DC-40GHz
VSWR	1.2
Insertion Loss	$\leq 0.05 \times \text{Sqrt.}(f\_GHz)$

### Environmental Specifications

RoHS Compliant	Yes
Operating Temperature Range	-55 °C to +165 °C
MIL/STD	N/A