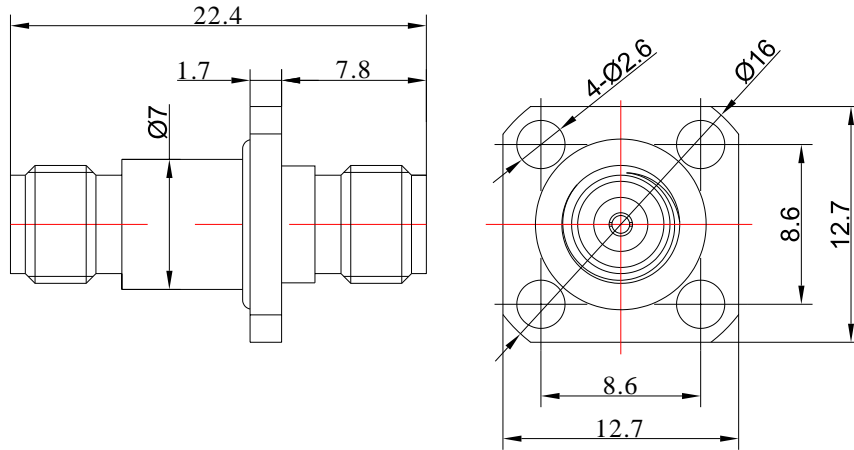


2.92mm Female to 2.92mm Female Adapter with 4 Hole Flange ,with O Ring, Through-wall Diameter 7mm, DC - 40GHz

FR1-2.92-KFKG1-M



Dimensions are in mm

Product Configuration

Connector 1 Series	2.92mm
Connector 1 Polarity	Standard
Connector 1 Gender	Female
Connector 1 Impedance (Ohm)	50
Connector 1 Mount Method	4 Hole Flange
Connector 2 Series	2.92mm
Connector 2 Polarity	Standard
Connector 2 Gender	Female
Connector 2 Impedance (Ohm)	50
Connector 2 Mount Method	4 Hole Flange
Body Style	Straight

Mechanical Data

Connector 1 Body Material	Stainless Steel
Connector 1 Body Plating	Passivated
Connector 2 Body Material	Stainless Steel
Connector 2 Body Plating	Passivated
Mating Cycles, Min	≥500
Weight	5.1 g

Electrical Specifications

Frequency	DC-40GHz
VSWR	1.2
Insertion Loss	≤0.05 xSq.(f_GHz)

Environmental Specifications

RoHS Compliant	Yes
Operating Temperature Range	-55 °C to +165 °C
MIL/STD	N/A