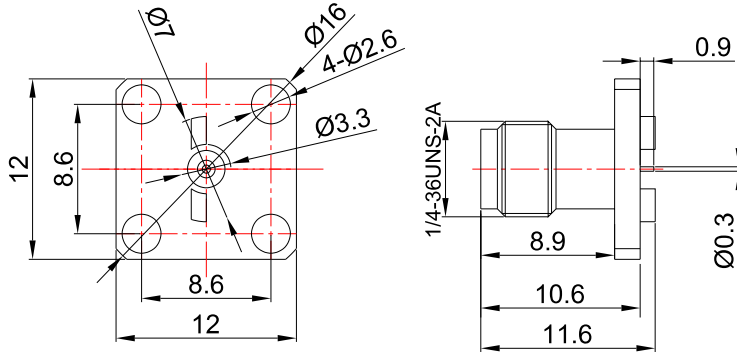


**2.92mm Female Connector with 4-hole Flange □ Hole Spacing 8.6mm □  
DC-40GHz | PCB End Launch Connector**

**P/N: FR2-2.92-KFHD0101**



Dimensions are in mm



## Product Configuration

Body Style	Straight
Connector Series	2.92mm
Connector Polarity	Standard
Connector Gender	Female
Termination Type	Field Replaceable Contact
Connector Impedance (Ohm)	50
Mount Method	4 Hole Flange

## Electrical Specifications

Frequency	DC - 40GHz
VSWR / Return Loss	1.25
Insertion Loss	≤ 0.1 x Sqrt.(f_GHz)

## Mechanical Data

Min. Mating Cycles	≥500
Body Material	Brass
Body Plating	Gold

## Environmental Specifications

RoHS Compliant	Yes
Operating Temperature Range	-40°C to +165°C