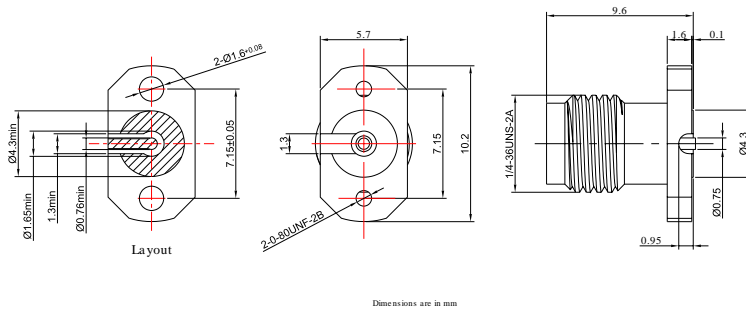


2.92mm Female Solderless PCB Connector with 2 Hole Flange for CPW/Microstrip, DC - 40GHz

P/N: FR2-2.92-KFD216



Product Configuration

Body Style	Straight
Connector Series	2.92mm
Connector Polarity	Standard
Connector Gender	Female
Termination Type	PCB
Connector Impedance (Ohm)	50
Mount Method	2 Hole Flange

Electrical Specifications

Frequency	DC-40GHz
VSWR	1.25
Insertion Loss	$\leq 0.05 \times \text{Sqrt.}(f_{\text{GHz}})$

Mechanical Data

Mating Cycles, Min	≥ 500
Body Material	Stainless Steel
Body Plating	Passivated

Environmental Specifications

RoHS Compliant	Yes
Operating Temperature Range	$-55 \text{ }^{\circ}\text{C}$ to $+165 \text{ }^{\circ}\text{C}$
MIL/STD	N/A