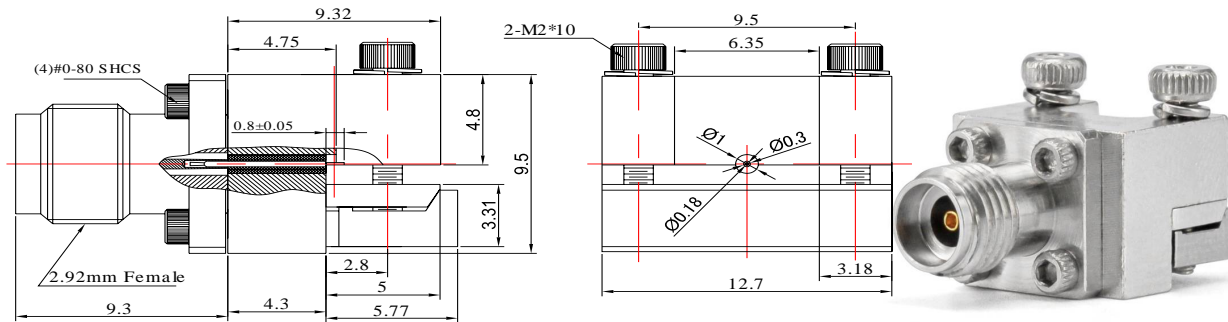


## 2.92mm Female Connector Solderless End Launch for PCB, Center Pin Diameter 0.3mm, DC - 40GHz

P/N: FR2-2.92-KFD0830



Dimensions are in mm

### Product Configuration

Body Style	Straight
Connector Series	2.92mm
Connector Polarity	Standard
Connector Gender	Female
Termination Type	PCB
Connector Impedance (Ohm)	50
Mount Method	End Launch

### Electrical Specifications

Frequency	DC-40GHz
VSWR	1.25
Insertion Loss	$\leq 0.05 \times \text{sqrt}(f_{\text{GHz}})$

### Mechanical Data

Mating Cycles, Min	$\geq 500$
Weight	9.9 g
Body Material	Brass
Body Plating	Tri-Metal

### Environmental Specifications

RoHS Compliant	Yes
Operating Temperature Range	-55 °C to +165 °C
MIL/STD	N/A