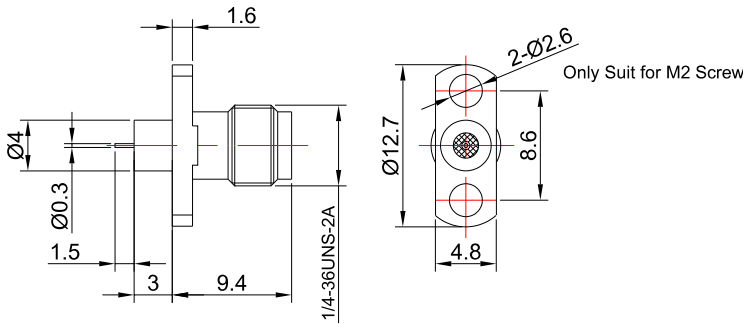
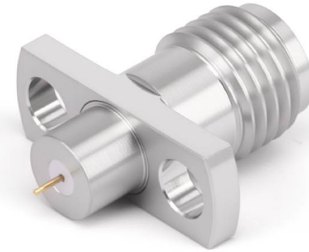


2.92mm Female Connector with 2 Hole Flange | Hole Spacing 8.6mm |  
Through-plate Metal Diameter 4mm and Length 3mm | DC - 40GHz

P/N: FR2-2.92-KFD0702



Dimensions are in mm



## Product Configuration

Body Style	Straight
Connector Series	2.92mm
Connector Polarity	Standard
Connector Gender	Female
Termination Type	Field Replaceable Contact
Connector Impedance (Ohm)	50
Mount Method	2 Hole Flange

## Electrical Specifications

Frequency	DC - 40GHz
VSWR / Return Loss	1.15
Insertion Loss	$\leq 0.05 \times \text{Sqrt.}(f\_GHz)$

## Mechanical Data

Min. Mating Cycles	$\geq 500$
Body Material	Stainless Steel
Body Plating	Passivated

## Environmental Specifications

RoHS Compliant	Yes
Operating Temperature Range	-55 °C to +165 °C