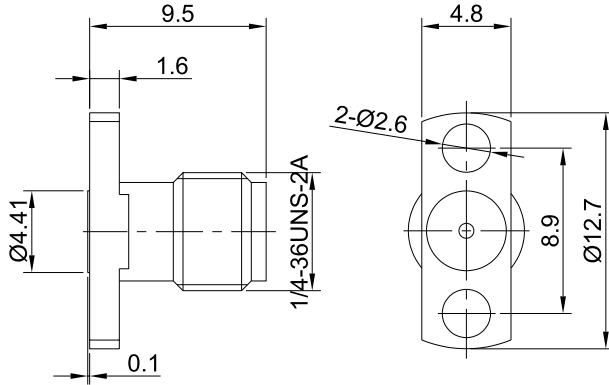


2.92mm Female Connector Field Replaceable with 2 Hole Flange | Hole Spacing 8.9mm | Accepts Ø0.23mm Pin | DC - 40GHz

P/N: FR2-2.92-KFD0623



Dimensions are in mm

Product Configuration

Body Style	Straight
Connector Series	2.92mm
Connector Polarity	Standard
Connector Gender	Female
Termination Type	Coax
Connector Impedance (Ohm)	50
Mount Method	2 Hole Flange

Electrical Specifications

Frequency	DC - 40GHz
VSWR / Return Loss	1.15
Insertion Loss	≤ 0.1 x Sqrt.(f_GHz)

Mechanical Data

Body Material	Stainless Steel
Body Plating	Passivated

Environmental Specifications

RoHS Compliant	Yes
Operating Temperature Range	-55 °C to +165 °C
MIL/STD	N/A