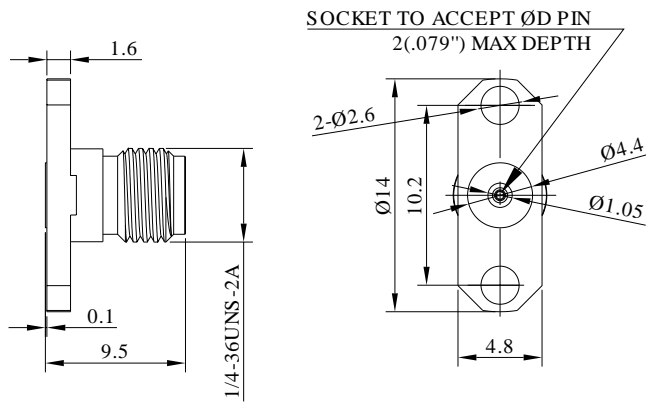


## 2.92mm Female Connector Field Replaceable with 2 Hole Flange, Hole Spacing 10.2mm, Acceptable Pin Diameter 0.23mm, DC - 40GHz

P/N: FR2-2.92-KFD0523



For Glass-bead of 0.23mm Pin Diameter

Dimensions are in mm

### Product Configuration

Body Style	Straight
Connector Series	2.92mm
Connector Polarity	Standard
Connector Gender	Female
Termination Type	Field Replaceable Contact
Connector Impedance (Ohm)	50
Mount Method	2 Hole Flange

### Electrical Specifications

Frequency	DC-40GHz
VSWR	1.15
Insertion Loss	$\leq 0.1 \times \sqrt{f_{GHz}}$

### Mechanical Data

Min. Mating Cycles	$\geq 500$
Body Material	Stainless Steel
Body Plating	Passivated

### Environmental Specifications

RoHS Compliant	Yes
Operating Temperature Range	-55 °C to +165 °C
MIL/STD	N/A