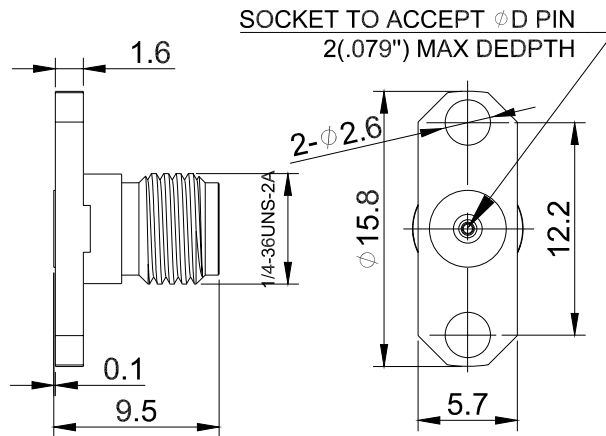


2.92mm Female Connector Field Replaceable with 2 Hole Flange, Hole Spacing 12.2mm, Acceptable Pin Diameter 0.51mm, DC - 40GHz

P/N: FR2-2.92-KFD0451



Dimensions are in mm

Product Configuration

| | |
|---------------------------|---------------------------|
| Body Style | Straight |
| Connector Series | 2.92mm |
| Connector Polarity | Standard |
| Connector Gender | Female |
| Termination Type | Field Replaceable Contact |
| Connector Impedance (Ohm) | 50 |
| Mount Method | 2 Hole Flange |

Electrical Specifications

| | |
|----------------|----------------------------------|
| Frequency | DC-40GHz |
| VSWR | 1.15 |
| Insertion Loss | $\leq 0.1 \times \sqrt{f_{GHz}}$ |

Mechanical Data

| | |
|--------------------|-----------------|
| Min. Mating Cycles | ≥ 500 |
| Weight | 1.94 g |
| Body Material | Stainless Steel |
| Body Plating | Passivated |

Environmental Specifications

| | |
|-----------------------------|-------------------|
| RoHS Compliant | Yes |
| Operating Temperature Range | -55 °C to +165 °C |
| MIL/STD | N/A |