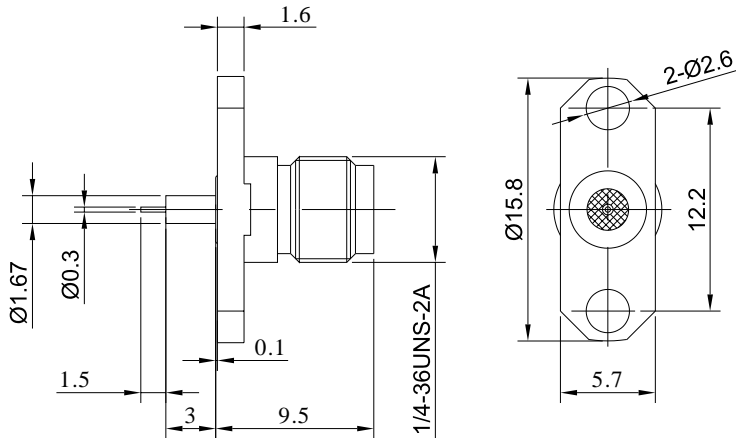


2.92mm Female Connector with 2 Hole Flange, Hole Spacing 12.2mm, Through-plate Metal Diameter 1.67mm and Length 3mm, DC - 40GHz

P/N: FR2-2.92-KFD0405



Dimensions are in mm

## Product Configuration

Body Style	Straight
Connector Series	2.92mm
Connector Polarity	Standard
Connector Gender	Female
Termination Type	Terminal
Connector Impedance (Ohm)	50
Mount Method	2 Hole Flange

## Electrical Specifications

Frequency	DC-40GHz
VSWR	1.15
Insertion Loss	$\leq 0.05 \times \sqrt{f_{\text{GHz}}}$

## Mechanical Data

Min. Mating Cycles	$\geq 500$
Weight	1.94 g
Body Material	Stainless Steel
Body Plating	Passivated

## Environmental Specifications

RoHS Compliant	Yes
Operating Temperature Range	-55 °C to +165 °C
MIL/STD	N/A