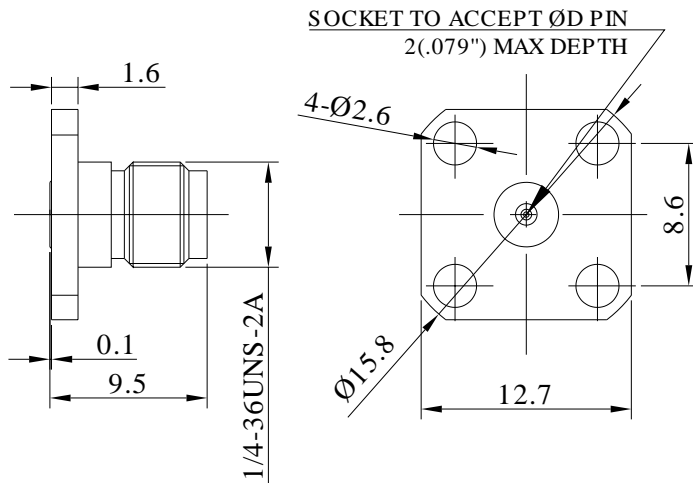


2.92mm Female Connector Field Replaceable with 4 Hole Flange,
Acceptable Pin Diameter 0.51mm, DC - 40GHz

P/N: FR2-2.92-KFD0151



Dimensions are in mm



Product Configuration

Body Style	Straight
Connector Series	2.92mm
Connector Polarity	Standard
Connector Gender	Female
Termination Type	Field Replaceable Contact
Connector Impedance (Ohm)	50
Mount Method	4 Hole Flange

Electrical Specifications

Frequency	DC-40GHz
VSWR	1.15
Insertion Loss	$\leq 0.1 \times \sqrt{f_{GHz}}$

Mechanical Data

Mating Cycles, Min	≥ 500
Weight	2.76 g
Body Material	Stainless Steel
Body Plating	Passivated

Environmental Specifications

RoHS Compliant	Yes
Operating Temperature Range	-55 °C to +165 °C
MIL/STD	N/A