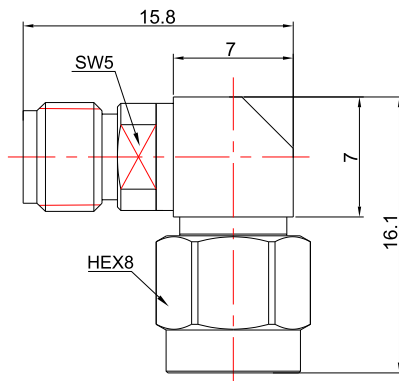


2.92mm Male to 2.92mm Female Right Angle Precision Adapter | DC-40GHz | P/N: 2.92-JWKG
Version G



Dimensions are in mm



Product Configuration

	Connector 1	Connector 2
Connector Series	2.92mm	2.92mm
Connector Polarity	Standard	Standard
Connector Gender	Male	Female
Connector Impedance (Ohm)	50	50
Connector Body Material	Stainless Steel	Stainless Steel
Connector Body Plating	Passivated	Passivated
Body Style	Right Angle	Right Angle

Electrical Specifications

Frequency	DC - 40GHz
VSWR / Return Loss	1.25
Insertion Loss	$\leq 0.08 \times \text{Sqrt.}(f_GHz)$

Mechanical Data

Min. Mating Cycles	≥ 500
--------------------	------------

Environmental Specifications

RoHS Compliant	Yes
Operating Temperature Range	-55°C to +165°C