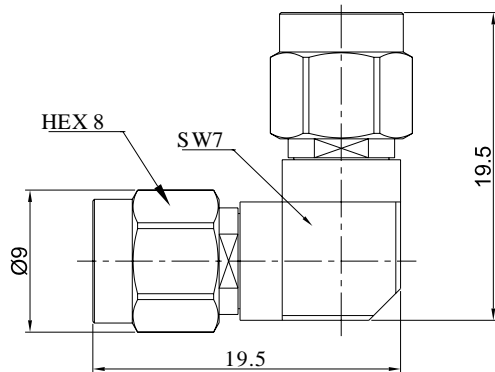


## 2.92mm Male to 2.92mm Male Right Angle Precision Adapter | DC-40GHz | Version S

P/N: FR1-2.92-JWJS



Dimensions are in mm



### Product Configuration

	Connector 1	Connector 2
Connector Series	2.92mm	2.92mm
Connector Polarity	Standard	Standard
Connector Gender	Male	Male
Connector Impedance (Ohm)	50	50
Body Style	Right Angle	Right Angle
Connector Body Material	Stainless Steel	Stainless Steel
Connector Body Plating	Passivated	Passivated

### Electrical Specifications

Frequency	DC - 40GHz
VSWR / Return Loss	1.25
Insertion Loss	$\leq 0.08 \times \text{Sqrt.}(f\_GHz)$

### Mechanical Data

Min. Mating Cycles	$\geq 500$
Weight (g)	8.2 g

### Environmental Specifications

RoHS Compliant	Yes
Operating Temperature Range	-55 °C to +165 °C
MIL/STD	N/A