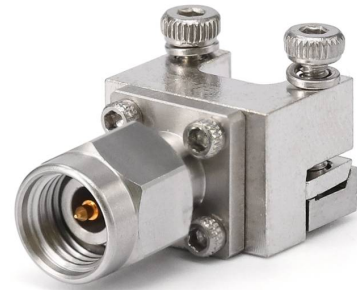
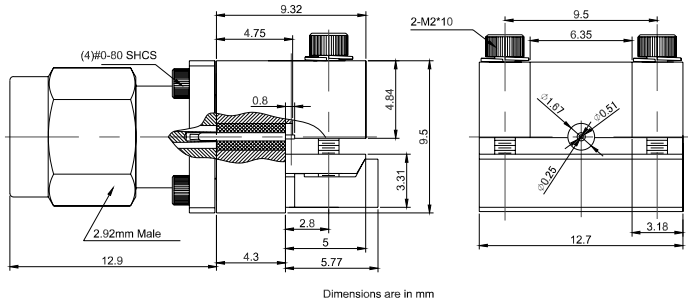


2.92mm Solderless End Launch Male RF Connectors | DC–40GHz |  
0.25mm Pin for PCB Contact | 50Ω Edge Mount

P/N: FR2-2.92-JFD0851



## Product Configuration

Body Style	Straight
Connector Series	2.92mm
Connector Polarity	Standard
Connector Gender	Male
Termination Type	PCB
Connector Impedance (Ohm)	50
Mount Method	End Launch

## Electrical Specifications

Frequency	DC - 40GHz
VSWR / Return Loss	1.25
Insertion Loss	$\leq 0.1 \times \text{Sqrt.}(f\_GHz)$

## Mechanical Data

Min. Mating Cycles	$\geq 500$
Weight	10.9 g
Body Material	Brass
Body Plating	Tri-Metal

## Environmental Specifications

RoHS Compliant	Yes
Operating Temperature Range	-55°C to +165°C