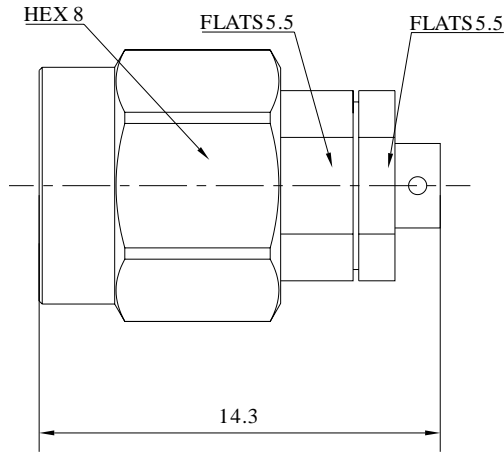


2.92mm Male Connector for .086" Series Cables, DC - 40GHz

P/N: FR2-2.92-JB2-1



Dimensions are in mm



Product Configuration

Body Style	Straight
Connector Series	2.92mm
Connector Polarity	Standard
Connector Gender	Male
Termination Type	Coax
Connector Impedance (Ohm)	50
Mount Method	None

Electrical Specifications

Frequency	DC-40GHz
VSWR	1.35
Insertion Loss	$\leq 0.05 \times \sqrt{f_{\text{GHz}}}$

Mechanical Data

Min. Mating Cycles	≥ 500
Weight	2.7 g
Body Material	Stainless Steel
Body Plating	Passivated

Environmental Specifications

RoHS Compliant	Yes
Operating Temperature Range	-55 °C to +165 °C
MIL/STD	N/A