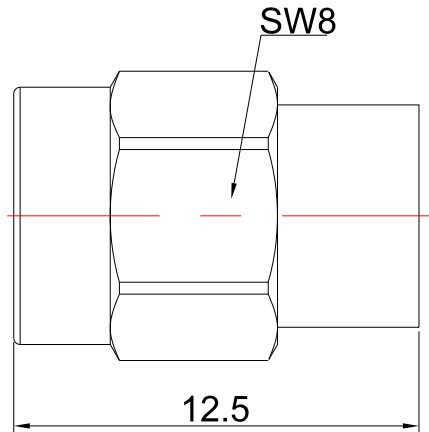


2.92mm Male RF Load Up To 40 GHz, 2 Watts, Passivated Stainless Steel

P/N: FR3-2.92-J-03



Dimensions are in mm

Product Configuration

Connector Series	2.92mm
Connector Polarity	Standard
Connector Gender	Male
Connector Impedance (Ohm)	50

Electrical Specifications

Frequency	DC- 40GHz
VSWR	<=1.20
Power, Max Input (Watts)	2

Mechanical Data

Mating Cycles, Min	≥500
Weight	2.3 g
Body Material	Stainless Steel
Body Plating	Passivated
Cryogenic	No
Non-Magnetic	No

Environmental Specifications

RoHS Compliant	Yes
Operating Temperature Range	-55 °C to +125 °C
MIL/STD	N/A