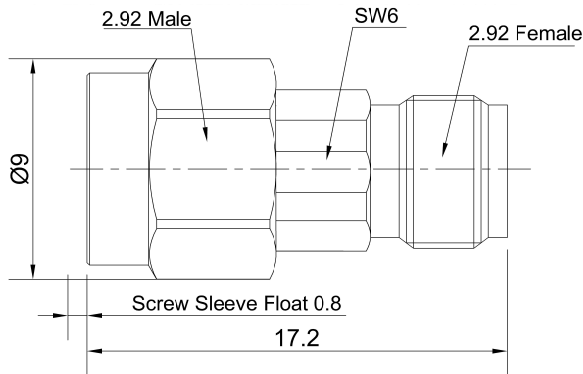


## 2.92mm Fixed Attenuator | DC-40GHz | 2Watts

P/N: FR4-2.92-CA1XX-E



Dimensions are in mm

### Electrical Performance Parameter Table

Attenuation Value (dB)	Frequency	Attenuation Accuracy	VSWR	Average Power (W)
1	DC-40GHz	-0.7/+0.8	<1.25	2W
2	DC-40GHz	-0.7/+0.8	<1.25	2W
3	DC-40GHz	-0.7/+0.8	<1.25	2W
4	DC-40GHz	-0.7/+0.8	<1.25	2W
5	DC-40GHz	-0.7/+0.8	<1.25	2W
6	DC-40GHz	-0.7/+0.8	<1.25	2W
7	DC-40GHz	-0.7/+0.8	<1.25	2W
8	DC-40GHz	-0.7/+0.8	<1.25	2W
9	DC-40GHz	-0.7/+0.8	<1.25	2W
10	DC-40GHz	-0.7/+0.8	<1.25	2W
20	DC-40GHz	-0.8/+1.0	<1.25	2W
30	DC-40GHz	-0.8/+1.0	<1.25	2W

## 2.92mm Fixed Attenuator | DC-40GHz | 2Watts

P/N: FR4-2.92-CA1XX-E

### Product Configuration

	Connector-In	Connector-Out
Connector Series	2.92mm	2.92mm
Connector Polarity	Standard	Standard
Connector Gender	Male	Female
Connector Impedance (Ohm)	50	50
Connector Body Material	Stainless Steel	Stainless Steel
Connector Body Plating	Passivated	Passivated

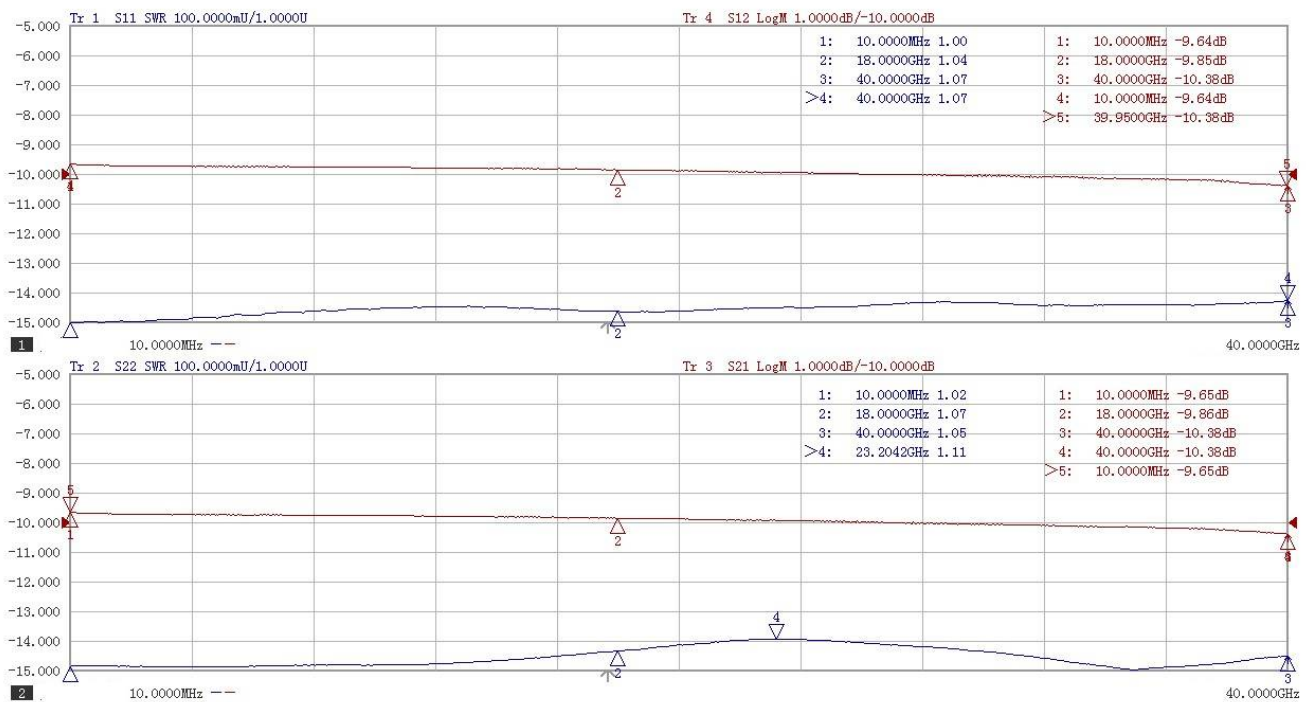
### Mechanical Data

Weight (g)	4.1 g
Cryogenic	No

### Environmental Specifications

RoHS Compliant	Yes
Operating Temperature Range	-55 °C to +125 °C
MIL/STD	N/A

### Test Data



Test report for 2.92mm Fixed Attenuator 10dB