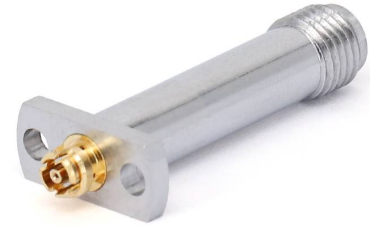
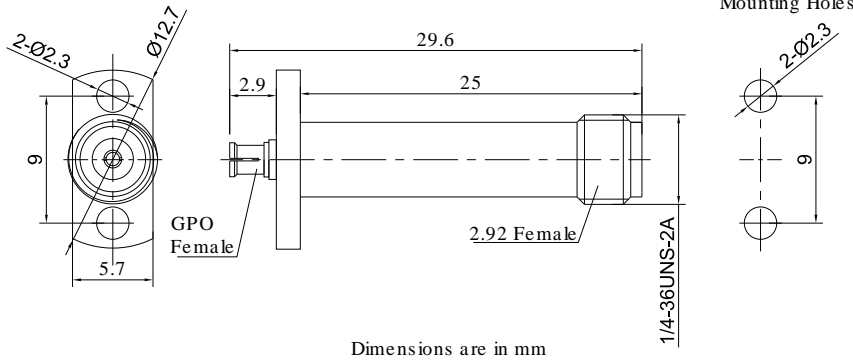


## 2.92mm Female to GPO (SMP) Female Adapter with 2 Hole Flange, DC - 40GHz

FR1-2.92/GPO-KFKS-A



### Product Configuration

Connector 1 Series	2.92mm
Connector 1 Polarity	Standard
Connector 1 Gender	Female
Connector 1 Impedance (Ohm)	50
Connector 1 Mount Method	2 Hole Flange
Connector 2 Series	GPO(SMP)
Connector 2 Polarity	Standard
Connector 2 Gender	Female
Connector 2 Impedance (Ohm)	50
Connector 2 Mount Method	2 Hole Flange
Body Style	Straight

### Mechanical Data

Connector 1 Body Material	Stainless Steel
Connector 1 Body Plating	Passivated
Connector 2 Body Material	Beryllium Copper
Connector 2 Body Plating	Gold
Mating Cycles, Min	≥500
Weight	4.2 g

### Electrical Specifications

Frequency	DC-40GHz
VSWR	1.35
Insertion Loss	≤0.1 x Sqrt.(f_GHz)

### Environmental Specifications

RoHS Compliant	Yes
Operating Temperature Range	-55 °C to +165 °C
MIL/STD	N/A