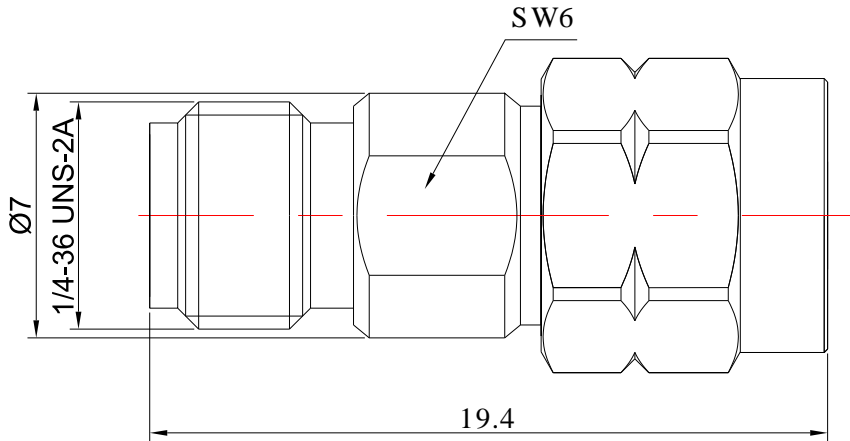


2.92mm Female to 2.4mm Male Adapter, DC - 40GHz

FR1-2.92/2.4-KJS



Dimensions are in mm

Product Configuration

Connector 1 Series	2.92mm
Connector 1 Polarity	Standard
Connector 1 Gender	Female
Connector 1 Impedance (Ohm)	50
Connector 1 Mount Method	None
Connector 2 Series	2.4mm
Connector 2 Polarity	Standard
Connector 2 Gender	Male
Connector 2 Impedance (Ohm)	50
Connector 2 Mount Method	None
Body Style	Straight

Mechanical Data

Connector 1 Body Material	Stainless Steel
Connector 1 Body Plating	Passivated
Connector 2 Body Material	Stainless Steel
Connector 2 Body Plating	Passivated
Mating Cycles, Min	≥500
Weight	1.82 g

Electrical Specifications

Frequency	DC-40GHz
VSWR	1.15
Insertion Loss	≤0.05 x Sqrt.(f_GHz)

Environmental Specifications

RoHS Compliant	Yes
Operating Temperature Range	-55 °C to +165 °C
MIL/STD	N/A