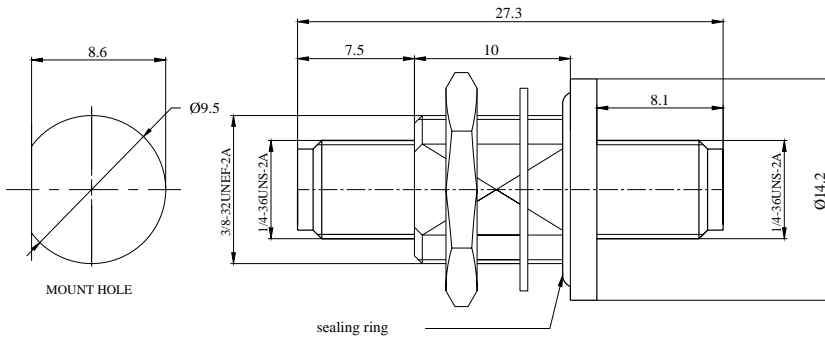


2.92 Female to 2.92 Female Hermetically Sealed Bulkhead Mount Adaptor, DC - 40GHz

FR1-2.92M-KYKE



Dimensions are in mm



Product Configuration

Connector 1 Series	2.92mm
Connector 1 Polarity	Standard
Connector 1 Gender	Female
Connector 1 Impedance (Ohm)	50
Connector 1 Mount Method	Bulkhead
Connector 2 Series	2.92mm
Connector 2 Polarity	Standard
Connector 2 Gender	Female
Connector 2 Impedance (Ohm)	50
Connector 2 Mount Method	Bulkhead
Body Style	Straight

Mechanical Data

Connector 1 Body Material	Brass
Connector 1 Body Plating	Gold
Connector 2 Body Material	Brass
Connector 2 Body Plating	Gold
Min. Mating Cycles	≥500
Weight	10 g

Electrical Specifications

Frequency	DC-40GHz
VSWR	1.3
Insertion Loss	≤0.1 x Sqrt.(f_GHz)

Environmental Specifications

RoHS Compliant	Yes
Operating Temperature Range	-55 °C to +125 °C
MIL/STD	N/A
Hermetic Seal	1 [^] 10(-10) cc/sec of Helium at 1 ATM