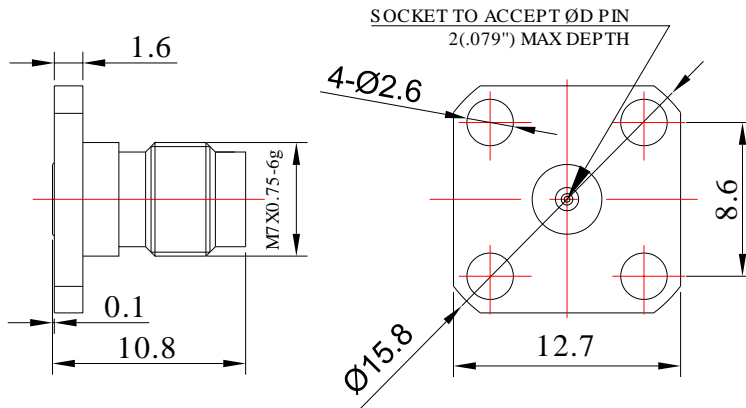


2.4mm Female Connector Field Replaceable with 4 Hole Flange, DC - 50GHz

P/N: FR2-2.4-KFD0130



Dimensions are in mm

Product Configuration

Body Style	Straight
Connector Series	2.4mm
Connector Polarity	Standard
Connector Gender	Female
Termination Type	Field Replaceable Contact
Connector Impedance (Ohm)	50
Mount Method	4 Hole Flange

Electrical Specifications

Frequency	DC-50GHz
VSWR	1.15
Insertion Loss	$\leq 0.05 \times \text{Sqrt.}(f_GHz)$

Mechanical Data

Mating Cycles, Min	≥ 500
Weight	3.2 g
Body Material	Stainless Steel
Body Plating	Passivated

Environmental Specifications

RoHS Compliant	Yes
Operating Temperature Range	-55 °C to +165 °C
MIL/STD	N/A