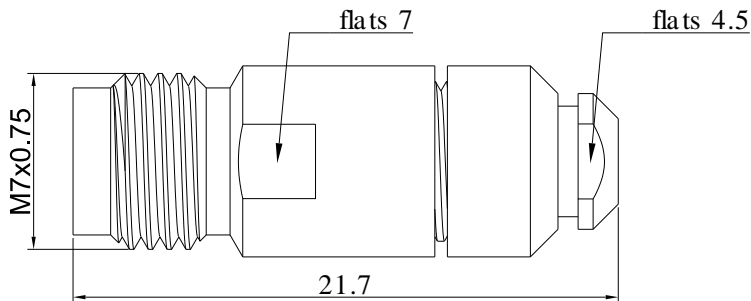


## 2.4mm Female Connector for .086' Series Cables, DC - 50GHz

P/N: FR2-2.4-KB2



Dimensions are in mm

### Product Configuration

|                           |          |
|---------------------------|----------|
| Body Style                | Straight |
| Connector Series          | 2.4mm    |
| Connector Polarity        | Standard |
| Connector Gender          | Female   |
| Termination Type          | Coax     |
| Connector Impedance (Ohm) | 50       |
| Mount Method              | None     |

### Electrical Specifications

|                |   |
|----------------|---|
| Frequency      | DC-50GHz                                |
| VSWR           | 1.35                                    |
| Insertion Loss | $\leq 0.05 \times \text{Sqrt.}(f\_GHz)$ |

### Mechanical Data

|                    |                 |
|--------------------|-----------------|
| Mating Cycles, Min | $\geq 500$      |
| Weight             | 5.19 g          |
| Body Material      | Stainless Steel |
| Body Plating       | Passivated      |

### Environmental Specifications

|                             |                   |
|-----------------------------|-------------------|
| RoHS Compliant              | Yes               |
| Operating Temperature Range | -55 °C to +165 °C |
| MIL/STD                     | N/A               |