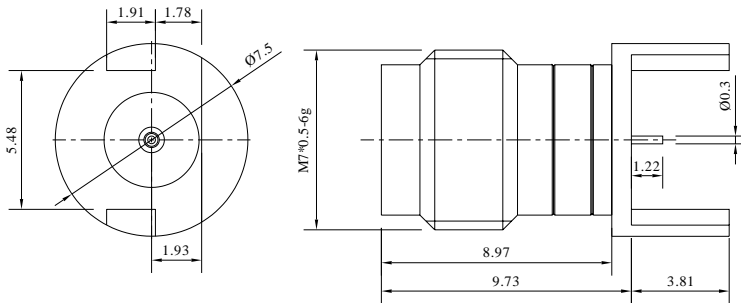


1.85mm Female Connector End Launch Suit for PCB Thickness 1.5mm to 1.6mm, DC - 65GHz

P/N: FR2-1.85-KHD101



Dimensions are in mm



Product Configuration

Body Style	Straight
Connector Series	1.85mm
Connector Polarity	Standard
Connector Gender	Female
Termination Type	PCB
Connector Impedance (Ohm)	50
Mount Method	End Launch

Electrical Specifications

Frequency	DC-65GHz
VSWR	1.4
Insertion Loss	≤0.3dB

Mechanical Data

Min. Mating Cycles	≥500
Weight	1.75 g
Body Material	Brass
Body Plating	Gold

Environmental Specifications

RoHS Compliant	Yes
Operating Temperature Range	-55 °C to +165 °C
MIL/STD	N/A