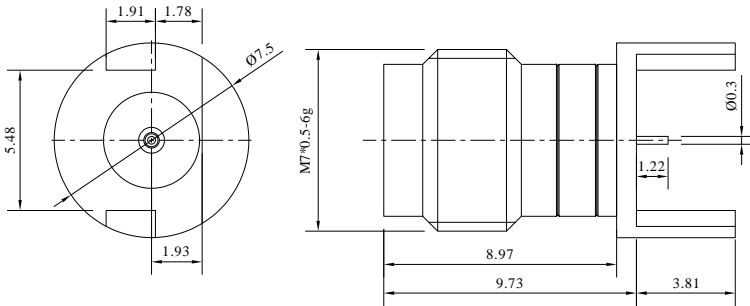


1.85mm Female Connector End Launch Suit for PCB Thickness 1.5mm to 1.6mm | **1.85-KHD101**  
DC - 65GHz



Dimensions are in mm



### Product Configuration

Connector Series	1.85mm
Connector Polarity	Standard
Connector Gender	Female
Body Style	Straight
Termination Type	PCB
Connector Impedance (Ohm)	50
Mount Method	End Launch

### Mechanical Data

Min. Mating Cycles	≥500
Weight (g)	1.75 g
Body Material	Brass
Body Plating	Gold

### Electrical Specifications

Frequency	DC - 65GHz
VSWR / Return Loss	1.4
Insertion Loss	≤ 0.3dB

### Environmental Specifications

RoHS Compliant	Yes
Operating Temperature Range	-55 °C to +165 °C
MIL/STD	N/A