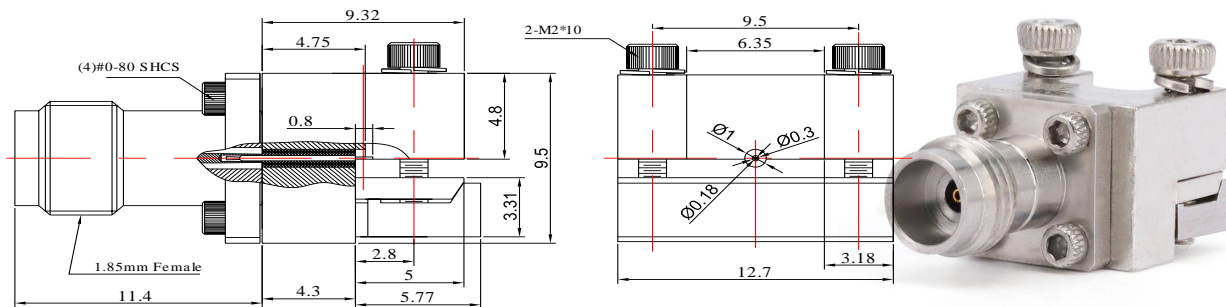


1.85mm Female Connector Solderless End Launch for PCB, DC - 65GHz

P/N: FR2-1.85-KFD0830



Dimensions are in mm

Product Configuration

Body Style	Straight
Connector Series	1.85mm
Connector Polarity	Standard
Connector Gender	Female
Termination Type	PCB
Connector Impedance (Ohm)	50
Mount Method	End Launch

Electrical Specifications

Frequency	DC-65GHz
VSWR	1.35
Insertion Loss	$\leq 0.05 \times \text{Sqrt.}(f_GHz)$

Mechanical Data

Mating Cycles, Min	≥ 500
Weight	9.9 g
Body Material	Brass
Body Plating	Tri-Metal

Environmental Specifications

RoHS Compliant	Yes
Operating Temperature Range	-55 °C to +165 °C
MIL/STD	N/A