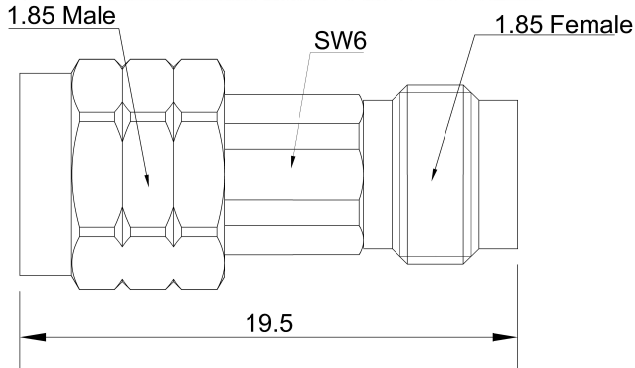


**1.85mm Fixed Attenuator | DC - 67GHz | 2Watts**

**P/N: 1.85-CA1XX-E**



Dimensions are in mm

**Electrical Performance Parameter Table**

Attenuation Value (dB)	Frequency	Attenuation Accuracy	VSWR	Average Power (W)
1	DC-67GHz	-1.0/+1.2	<1.35	2W
2	DC-67GHz	-1.0/+1.2	<1.35	2W
3	DC-67GHz	-1.0/+1.2	<1.35	2W
5	DC-67GHz	-1.0/+1.2	<1.35	2W
6	DC-67GHz	-1.0/+1.2	<1.35	2W
10	DC-67GHz	-1.0/+1.2	<1.35	2W
20	DC-67GHz	-1.2/+1.2	<1.35	2W
30	DC-67GHz	-1.5/+1.5	<1.35	2W

**1.85mm Fixed Attenuator | DC - 67GHz | 2Watts**

**P/N: 1.85-CA1XX-E**

**Product Configuration**

	Connector-In	Connector-Out
Connector Series	1.85mm	1.85mm
Connector Polarity	Standard	Standard
Connector Gender	Female	Male
Connector Impedance (Ohm)	50	50
Connector Body Material	Stainless Steel	Stainless Steel
Connector Body Plating	Passivated	Passivated

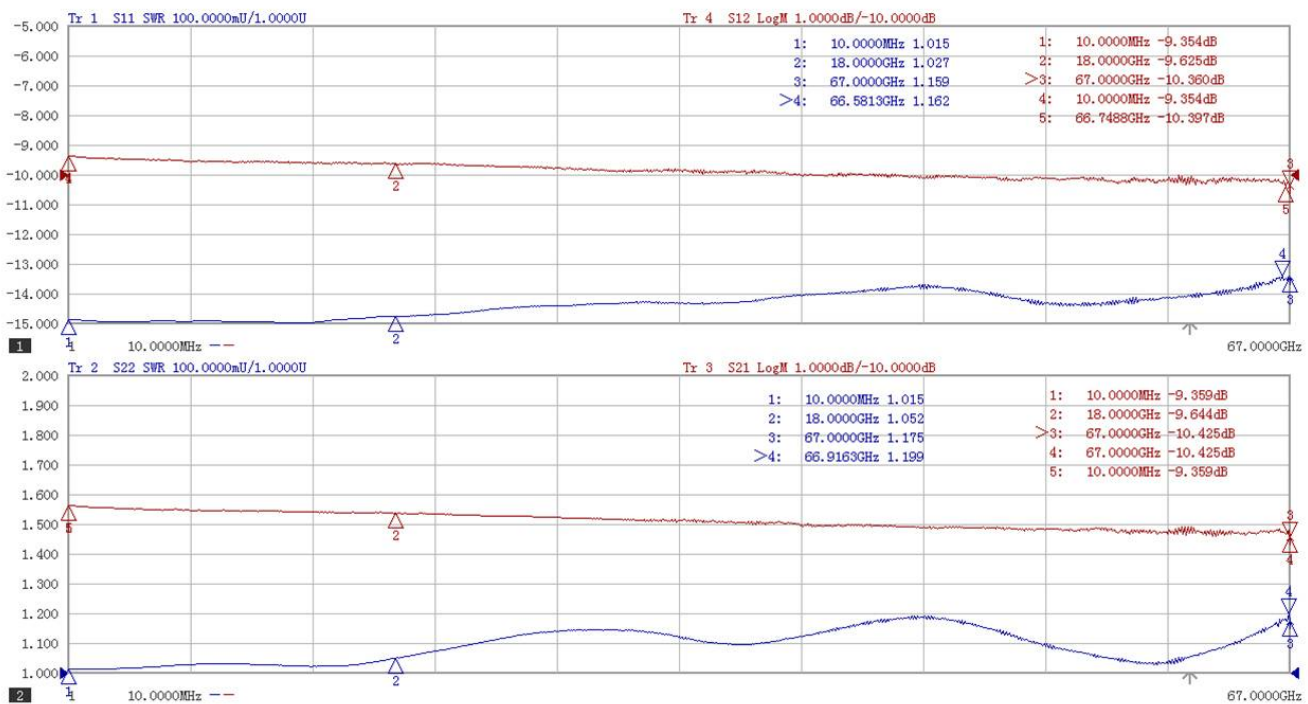
**Mechanical Data**

Weight (g)	3.8 g
Cryogenic	No

**Environmental Specifications**

RoHS Compliant	Yes
Operating Temperature Range	-55 °C to +125 °C
MIL/STD	N/A

**Test Data**



Test report for 1.85mm Fixed Attenuator 10dB