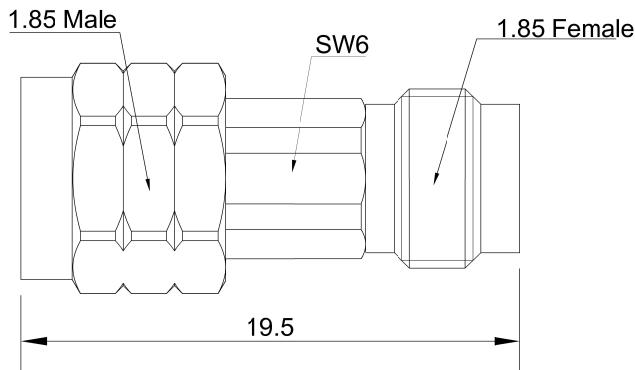


1.85mm Fixed Attenuator, DC - 67GHz, 2Watts

P/N: FR4-1.85-CA1XXE



Dimensions are in mm

Electrical Performance Parameter Table

Product No	Frequency	Attenuation Value (dB)	Attenuation Accuracy (dB)	VSWR	AVERAGE POWER (W)
1.85-CA103-E	DC-67GHz	3	-1.0/+1.2	1.35	2 @ 25°C
1.85-CA106-E	DC-67GHz	6	-1.0/+1.2	1.35	2 @ 25°C
1.85-CA110-E	DC-67GHz	10	-1.0/+1.2	1.35	2 @ 25°C
1.85-CA120-E	DC-67GHz	20	-1.2/+1.2	1.35	2 @ 25°C
1.85-CA130-E	DC-67GHz	30	-1.5/+1.5	1.35	2 @ 25°C

Product Configuration

Connector-In Series	1.85mm
Connector-Out Series	1.85mm
Connector-In Polarity	Standard
Connector-Out Polarity	Standard
Connector-In Gender	Female
Connector-Out Gender	Male
Connector-In Impedance (Ohm)	50
Connector-Out Impedance (Ohm)	50

1.85mm Fixed Attenuator, DC - 67GHz, 2Watts

P/N: FR4-1.85-CA1XXE

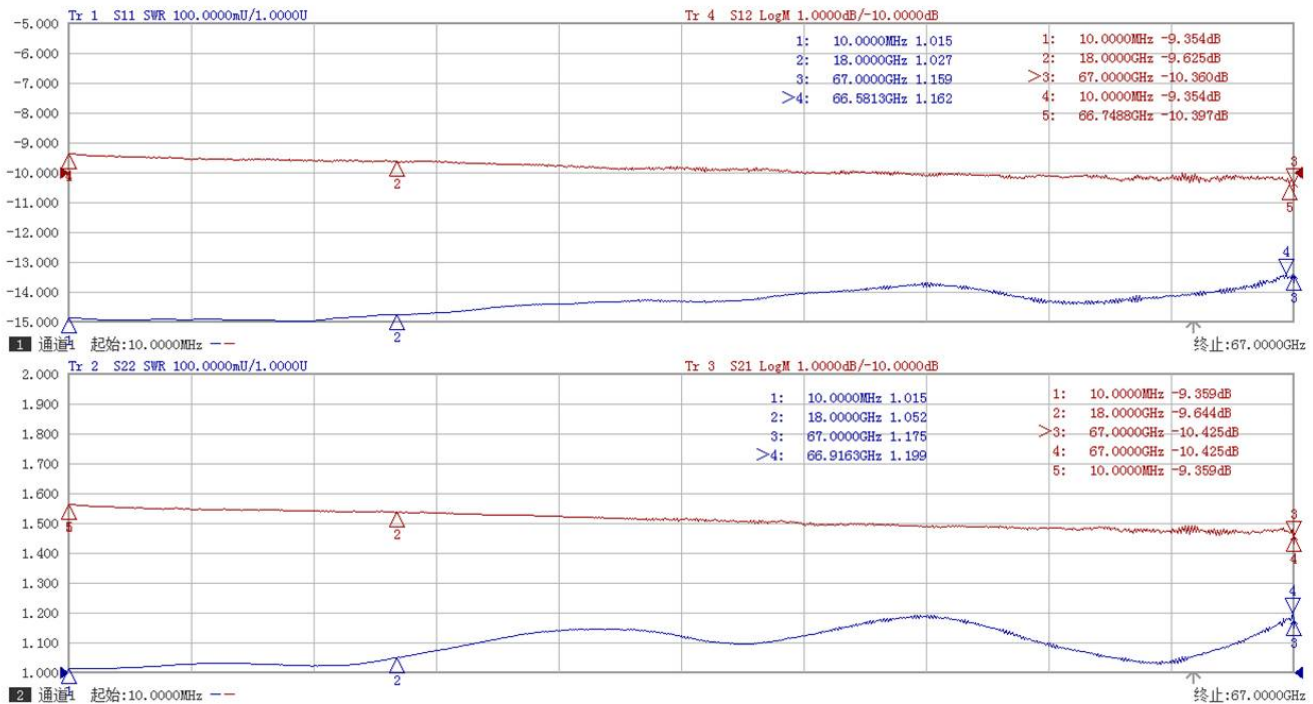
Mechanical Data

Mating Cycles, Min	≥500
Weight (g)	3.8 g
Connector In Body Material	Stainless Steel
Connector In Body Plating	Passivated
Connector Out Body Material	Stainless Steel
Connector Out Body Plating	Passivated
Cryogenic	No

Environmental Specifications

RoHS Compliant	Yes
Operating Temperature Range	-55 °C to +125 °C
MIL/STD	N/A

Test Data



Test report for 1.85mm Fixed Attenuator 10dB