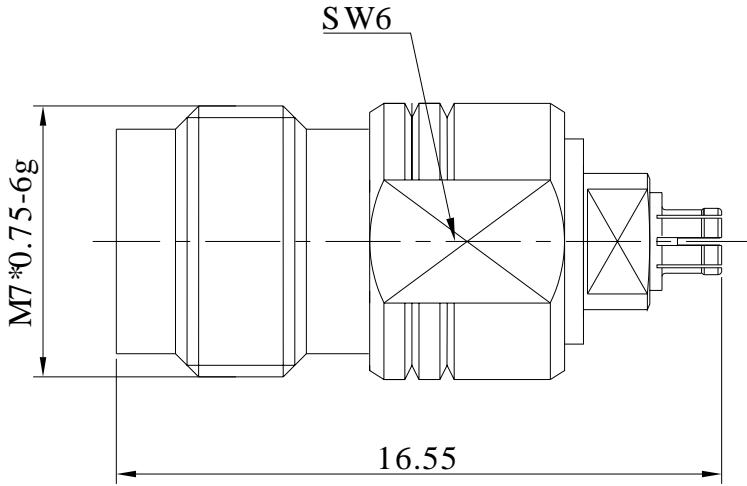


## 1.85mm Female to GPPO (Mini-SMP) Female Adapter, DC - 67GHz

FR1-1.85/GPPO-KK



Dimensions are in mm

### Product Configuration

Connector 1 Series	1.85mm
Connector 1 Polarity	Standard
Connector 1 Gender	Female
Connector 1 Impedance (Ohm)	50
Connector 1 Mount Method	None
Connector 2 Series	GPPO(Mini-SMP)
Connector 2 Polarity	Standard
Connector 2 Gender	Female
Connector 2 Impedance (Ohm)	50
Connector 2 Mount Method	None
Body Style	Straight

### Mechanical Data

Connector 1 Body Material	Stainless Steel
Connector 1 Body Plating	Passivated
Connector 2 Body Material	Beryllium Copper
Connector 2 Body Plating	Gold
Min. Mating Cycles	≥500

### Electrical Specifications

Frequency	DC-67GHz
VSWR	1.3
Insertion Loss	≤0.08 xSqt.(f_GHz)

### Environmental Specifications

RoHS Compliant	Yes
Operating Temperature Range	-55 °C to +165 °C
MIL/STD	N/A