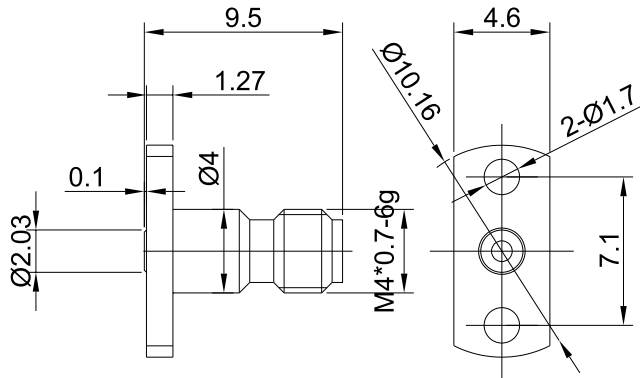


1.0mm Female End Launch Connector | 2 Hole Flange | Hole Spacing
7.1mm | Acceptable Pin Diameter 0.23mm | DC-110GHz

P/N: FR2-1.0-KFD1423



Dimensions are in mm



Product Configuration

Body Style	Straight
Connector Series	1.0mm
Connector Polarity	Standard
Connector Gender	Female
Termination Type	Field Replaceable Contact
Connector Impedance (Ohm)	50
Mount Method	2 Hole Flange

Electrical Specifications

Frequency	DC - 110GHz
VSWR / Return Loss	1.35
Insertion Loss	≤ 0.06 x Sqrt.(f_GHz)

Mechanical Data

Min. Mating Cycles	≥500
Body Material	Stainless Steel
Body Plating	Passivated

Environmental Specifications

RoHS Compliant	Yes
Operating Temperature Range	-40° to +85°