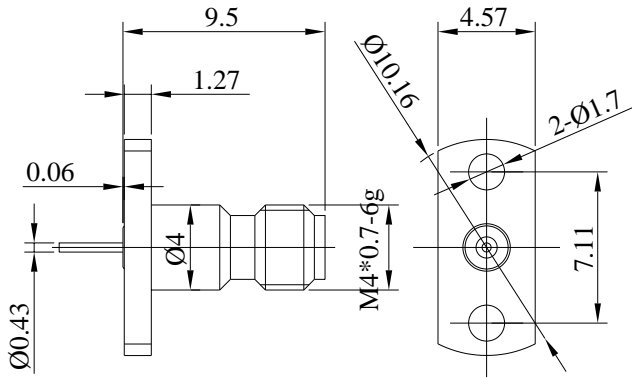


1.0mm Female End Launch Connector | 2 Hole Flange | Hole Spacing 7.1mm | With [1.0-KFD1404](#)
Pin Diameter 0.43mm | DC-110GHz



Dimensions are in mm



Product Configuration

Connector Series	1.0mm
Connector Polarity	Standard
Connector Gender	Female
Body Style	Straight
Termination Type	Field Replaceable Contact
Connector Impedance (Ohm)	50
Mount Method	2 Hole Flange

Mechanical Data

Min. Mating Cycles	≥500
Body Material	Stainless Steel
Body Plating	Passivated

Electrical Specifications

Frequency	DC - 110GHz
VSWR / Return Loss	1.25
Insertion Loss	≤ 0.05 x Sqrt.(f_GHz)

Environmental Specifications

RoHS Compliant	Yes
Operating Temperature Range	-45°C to +125°C
MIL/STD	N/A