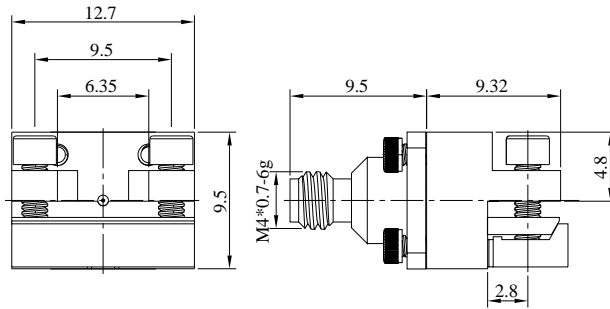
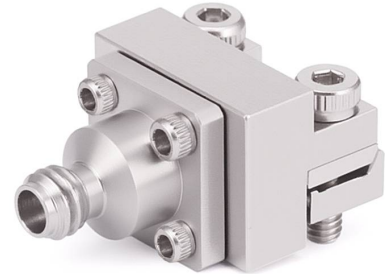


1.0mm Solderless End Launch Female RF Connector | DC–110GHz |
0.127mm Pin for PCB Contact | 50Ω Edge Mount

P/N: FR2-1.0-KFD1223



Dimensions are in mm



Product Configuration

Body Style	Straight
Connector Series	1.0mm
Connector Polarity	Standard
Connector Gender	Female
Termination Type	Field Replaceable Contact
Connector Impedance (Ohm)	50
Mount Method	4 Hole Flange

Electrical Specifications

Frequency	DC - 110GHz
VSWR / Return Loss	1.45
Insertion Loss	≤ 0.05 x Sqrt.(f_GHz)

Mechanical Data

Min. Mating Cycles	≥500
Body Material	Stainless Steel
Body Plating	Passivated

Environmental Specifications

RoHS Compliant	Yes
Operating Temperature Range	-40° to +165°