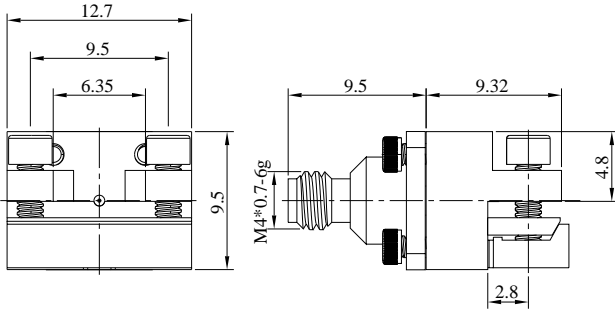
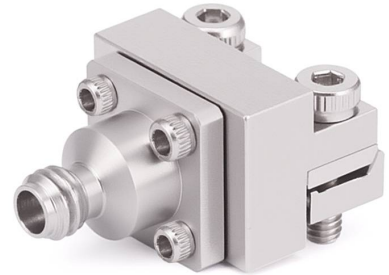


1.0mm Solderless End Launch Female RF Connector | DC–110GHz | 0.127mm Pin [1.0-KFD1223](#)
for PCB Contact | 50Ω Edge Mount



Dimensions are in mm



Product Configuration

Connector Series	1.0mm
Connector Polarity	Standard
Connector Gender	Female
Body Style	Straight
Termination Type	Field Replaceable Contact
Connector Impedance (Ohm)	50
Mount Method	4 Hole Flange

Mechanical Data

Min. Mating Cycles	≥500
Body Material	Stainless Steel
Body Plating	Passivated

Electrical Specifications

Frequency	DC - 110GHz
VSWR / Return Loss	1.45
Insertion Loss	≤ 0.05 x Sqrt.(f_GHz)

Environmental Specifications

RoHS Compliant	Yes
Operating Temperature Range	-40° to +165°